

NEO | SCIENCE™

Stay Ahead Of The Wellness Curve™

Attract and Retain Top-Tier Clients With NEO | LIGHT



Become an industry leader with
the most **profitable** light therapy equipment.

When you add light therapy to your services, you create a sustainable, touchless revenue stream for your business.

- ✓ We help you determine which light therapy bed is right for your business or home
- ✓ Get a reliable, effective, light therapy bed at a competitive price
- ✓ Start using your bed right away with white-glove delivery and easy-to-use preset modes
- ✓ Market your new service to make your light therapy services profitable as soon as possible



(424) 552-1612

info@neoscience.com

neoscience.com

Stay Ahead Of The Wellness Curve™

Join other elite wellness providers offering the Benefits of Light Therapy



Go beyond red light

With 4 intuitive preset modes NEO | LIGHT integrates leading edge technology to give clients 4 colors and 6 frequencies to choose from.

1 RESTORE

3 infrared frequencies to help with inflammation, pain, recovery, anti-aging, and collagen stimulation.

2 PULSE

High intensity bursts of light Favored by sports therapists for athletes who need deeper recovery.

3 CALM

A unique green light mode combined with invisible infrared light frequencies. May reduce the appearance of dark spots and have a positive effect on migraines.

4 CLEANSE

Red and blue light to reduce bacteria and improve the appearance of the skin. NEO | LIGHT is one of the first whole body applications using red and blue light combined..

Create an in-demand and touchless revenue stream

“As a Medical Doctor it is important to me to offer premium equipment in our practice. NEO Light is easy to use and has proven itself as a very popular and versatile modality that does not require any additional staff. The responsiveness of the support team to any of our questions post installation has been outstanding.”

Alejandro Arnez

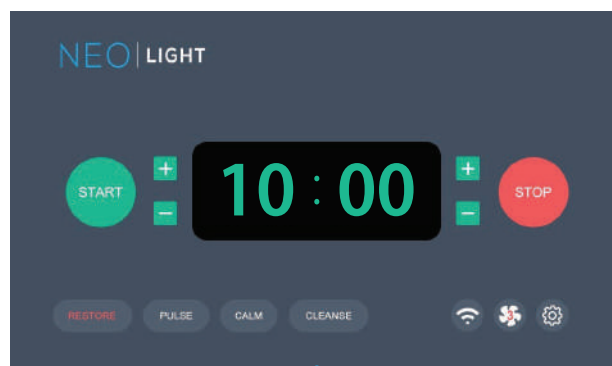
Medical Doctor, sculptology.com



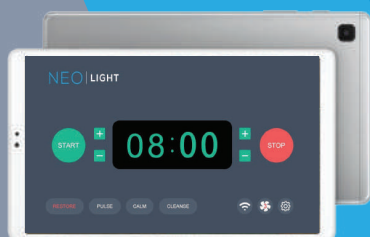
NEO | LIGHT

is easy for clients to set up and use.

Fully customizable and no additional staff required to operate the machine.



NEO | LIGHT



4 Preset Modes

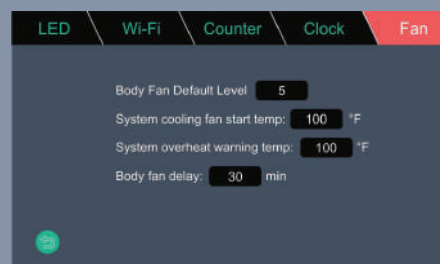
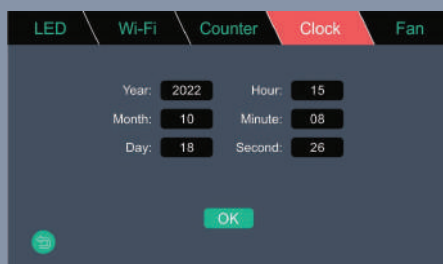
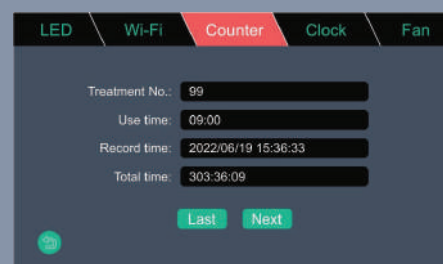
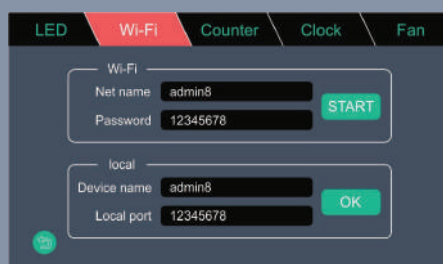
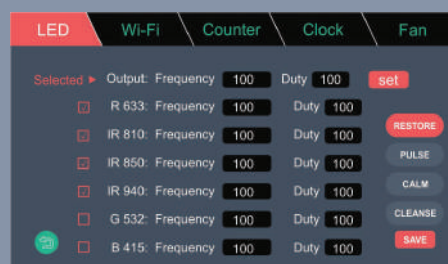
6 Light Frequencies

Fully Customizable

Touch Screen Controller

Remote Control Tablet

Treatment Log



NEO | LIGHT BED Data Sheet

Size

Weight: 350 kg (771.6 lbs)

Dimension (L × W × H):

92.5 × 41.2 × 39.7 inches

Product consists of

- **1 Base** (with embedded LEDs, fans and CPU)
- **1 Canopy** (with embedded LEDs, fans, and touch screen controller)
- **1 Variable foot fan** for comfort
- **6ft Power cord**
- **Accessories** including head rest and goggles



Additional Specifications

Electrical Requirements

220-240V, 50/60Hz

30A dedicated circuit breaker

10-gauge wiring

NEMA L6 30R outlet or hard wiring

Power consumption

Total rated power : 6336W, 28.8A

Actual power : 3740 W, 21.25A

LEDs

31,680 (tripartite spectral diodes)

Pulse option and variable Hz

User Specifications

Max Height : 7' 5"

Max Weight : 661 lb (300 Kg)

Wavelengths

633 – Red

810 – NIR infrared

850 – NIR infrared

940 – NIR infrared

415 – Blue

532 – Green

Programs

4 pre-set modes,
fully customizable



In addition to our 5 year whole-system warranty we offer a lifetime warranty (10 years) on our LEDs

LEDs: Lifetime (10 years)

We take pride in the reliability and longevity of our LED technology. We offer a lifetime warranty on our LEDs, guaranteeing that they will remain in optimal working condition for a minimum of 10 years. Rest assured that your light therapy device will consistently deliver the healing power of light throughout its lifespan.

Metal Frame and Plastic Enclosure: 5 years

The structural integrity of our light therapy beds is of utmost importance to us. We offer a 5-year warranty on the metal frame and plastic enclosure, assuring you that your device is built to last. This warranty covers any defects or malfunctions in these components, giving you peace of mind knowing that your investment is protected.

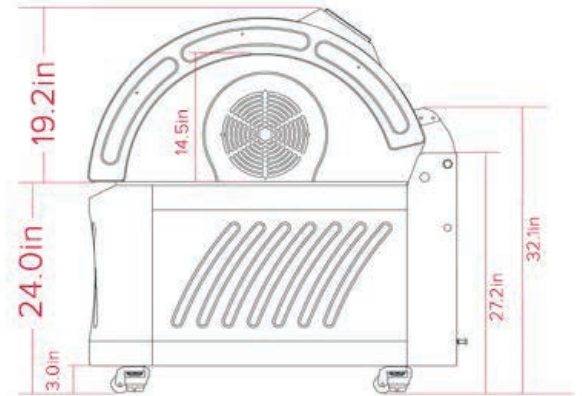
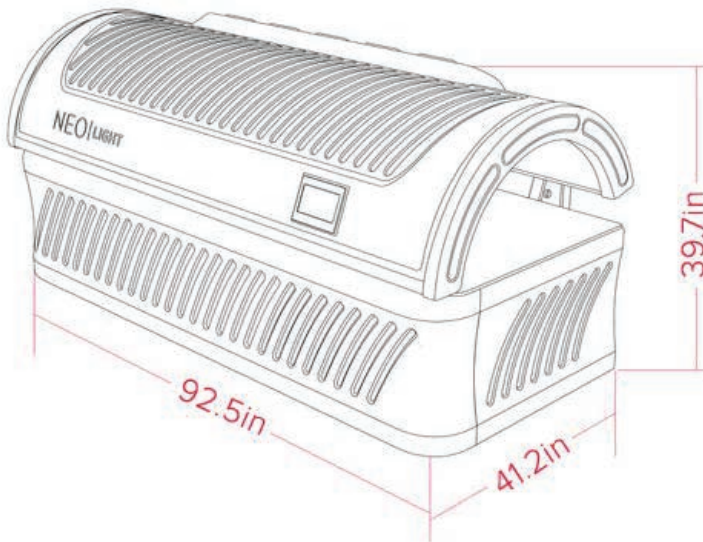
Control System: 5 years

We understand the critical role that the control system plays in delivering a seamless and effective light therapy experience. Therefore, we offer a 5-year warranty on the control system of our products. In the unlikely event of any malfunction or operational issues, our dedicated support team is here to assist you throughout the warranty period.

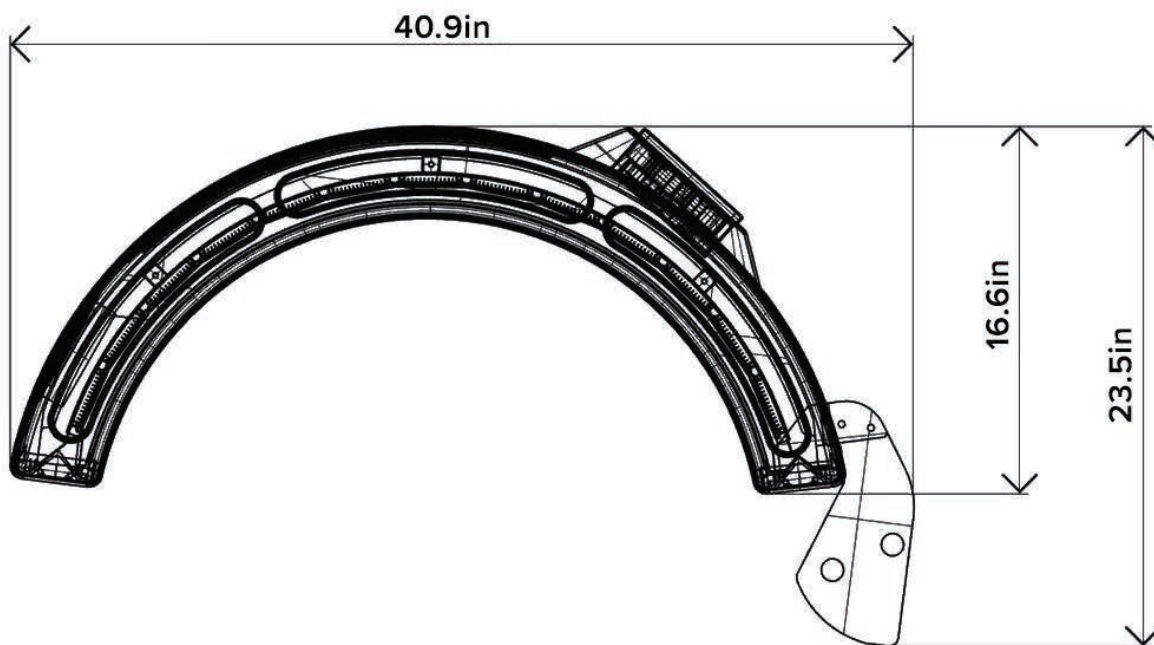
Service:

We partnered with over 70 local tanning bed installation and service companies across the US to save customer who are out of warranty the exorbitant technician travel expenses most other companies add on.

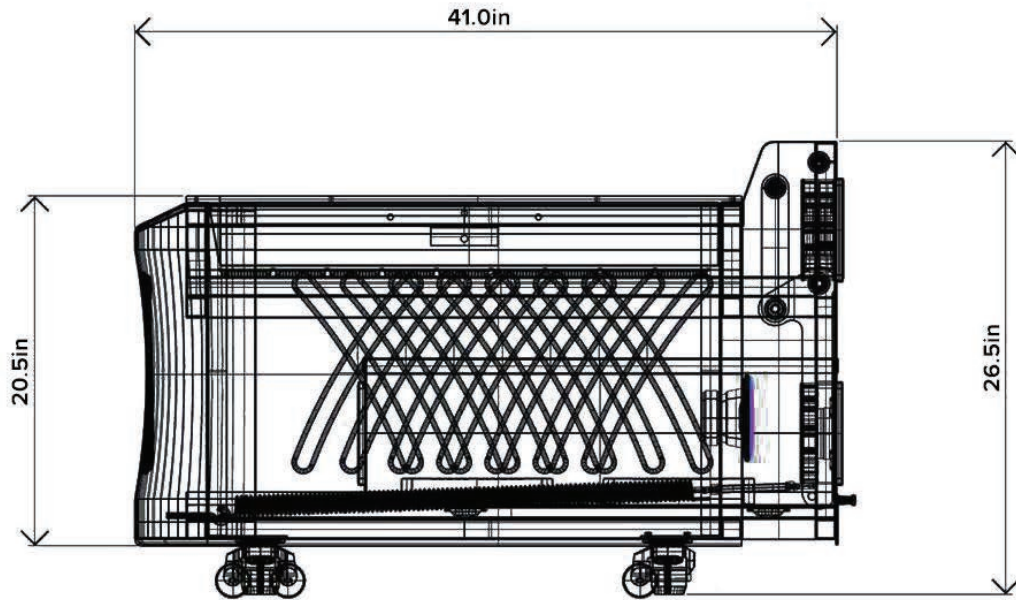
DIMENSIONS



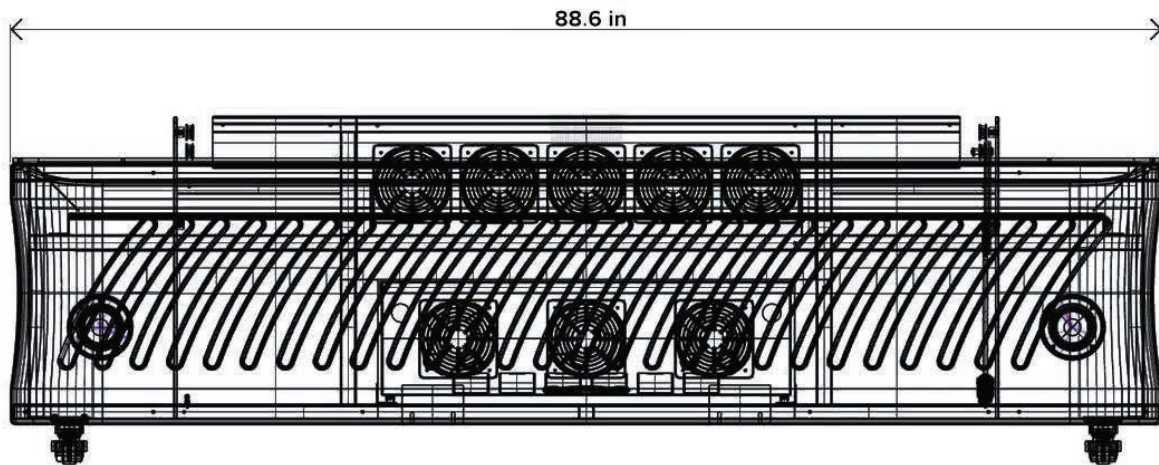
CANOPY SIDE VIEW



BED SIDE VIEW (CANOPY REMOVED)



BED BACK VIEW (CANOPY REMOVED)



Quality You Can Trust

We are pioneers in wellness technology

For over 15 years we have pursued the highest quality, leading edge technology from around the world and brought it to America.

Robin Kuehne was the pioneer in bringing cryotherapy to the States in 2008 and continues to research and engineer equipment with the business owner in mind.

Speak directly with our team, get your questions answered, and feel confident investing in equipment that will help you attract and retain top tier clients.



Wellness Owners Love Light Therapy



"I've been a fan of Red light therapy for most of my 15 year career, and have used it on patients to help accelerate their healing process. Having made full body Red Light Therapy with the Neolight Bed as part of my primary business model at my current clinic has helped us with getting leads, and retaining patients because they know they are getting far more than only a chiropractic adjustment."

Dr. Gannon Ward
Chiropractor



"We purchased the NEO bed in March 2023 and recouped our investment in under 6 months. The majority of our clients have added it to their recovery regime as they both see and feel the benefits."

Jim Karas
Owner, Chicago Cryospa,
Lifestyle Expert and NY Times
Bestselling Author



"Adding the NEO Light Bed has been a game changer for my business! It complements the existing modalities we offer, and for some of our clients, it provides a fantastic alternative treatment option. I absolutely love the NEO Light Bed – not only for the benefits it brings to my business, but also for my personal health and well-being!"

Dr. Donna Mabon
Goosebumps Cryotherapy






NEO | SCIENCE™

Stay Ahead Of The Wellness Curve™

Position Yourself As An Industry Leader With

NEO | LIGHT



-  **Leading Edge Technology**
-  **Unlock New Revenue Streams**
-  **Easy Delivery & Setup**

Light therapy is an incredibly powerful technology that has been around for decades in the wellness space, thanks to its non-invasive, deeply penetrating healing properties. In only 10 minutes, clients can get the full benefit of LED light therapy, with no additional staff needed.

Choose the Right Equipment

Get the Max Return Quickly



Jump on a quick call and get a quote

Tell us about your goals, and we'll ask a few questions.



Confidently choose the light bed best suited for you

Get started right away with white-glove delivery and simple setup.



Unlock a new revenue stream & grow your business

Provide the red light therapy services premier clients are looking for.

**Don't wait another week.
Get the latest technology to attract
and retain top clients.**

CALL FOR A QUOTE



(424) 552-1612

info@neoscience.com

neoscience.com

Unlock More Wellness Solutions

Explore our suite of devices designed to deliver results and drive the growth of your business.

NEO | LUNA

100% ELECTRIC COLD SAUNA



NEO | COOL

100% ELECTRIC
LOCALIZED & FACIAL CRYO



NEO | FLUX

PEMF THERAPY



NEO | O2

Hyperbaric Chamber
NEO O2 (1.5ATA)



BOA Max 2

Lymphatic Drainage
Massage Suit for
Health, Wellness
and Beauty

